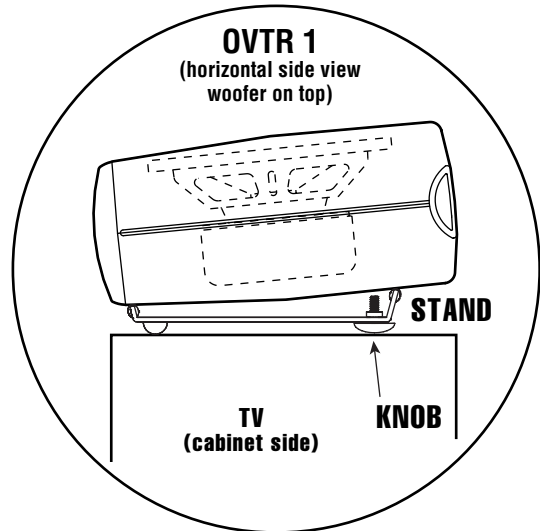
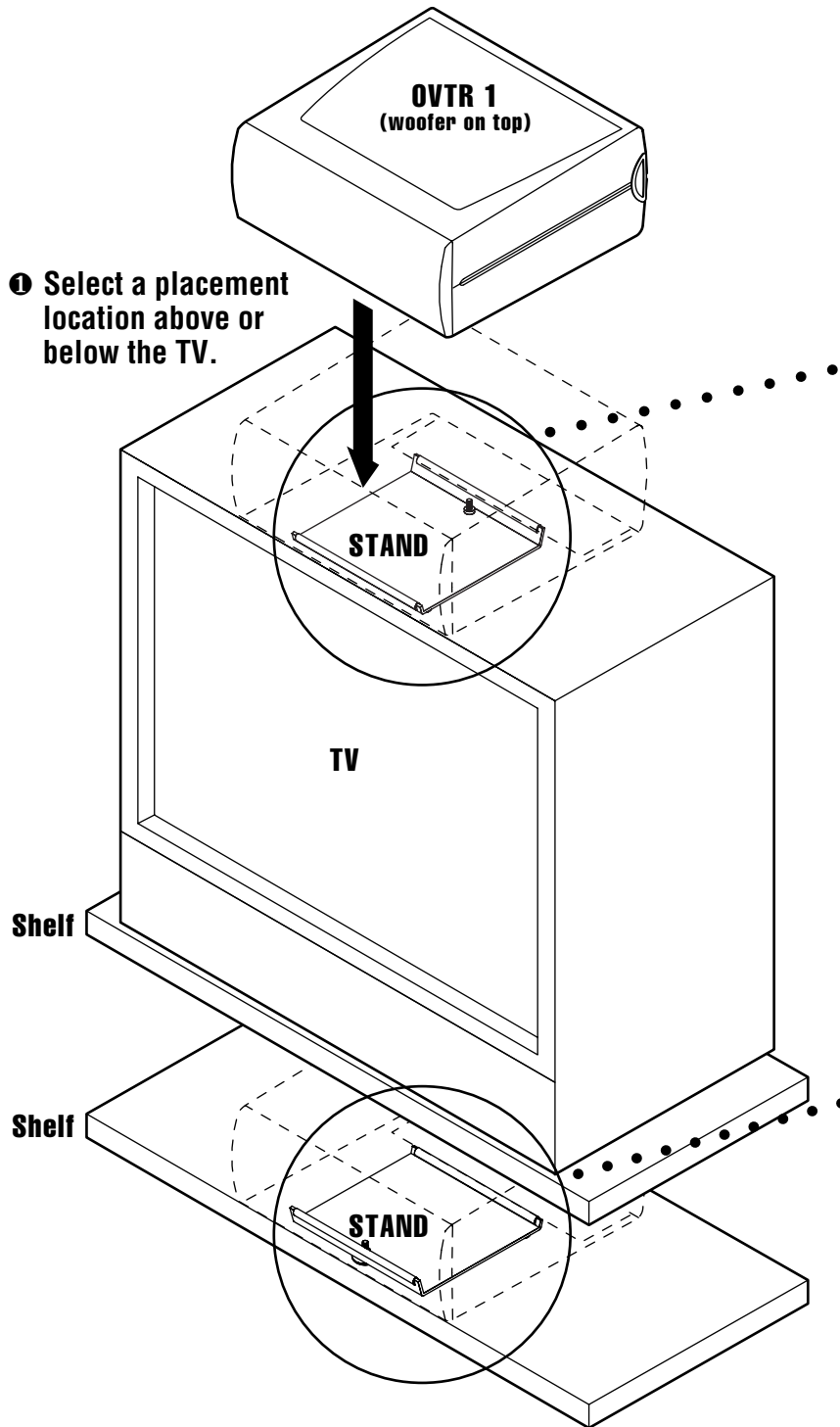


The OVTR 1 Center-Channel Speaker Stand is designed to hold an OVTR 1 speaker on a shelf above or below a television and (depending on the TV) directly on top of the television itself.

CAUTION: Some TVs (e.g., 32" or 35" models) may not provide enough surface area for stable stand placement. In this case, use a shelf above or below the television.

The stand is made of heavy-gauge steel for video shielding. It includes rubber guards for stability and an adjustment knob to help aim the OVTR 1 at listeners.

To start using your new stand, follow the instructions below. Also, please refer to the owner's manual that came with your OVTR 1 speaker.



2 Set the OVTR 1 on the STAND, as shown (above or below TV). If needed, turn the KNOB to further tilt the speaker toward listeners.

